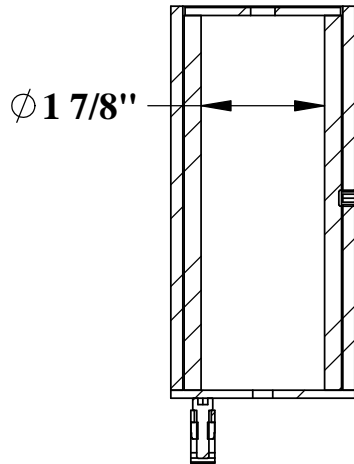
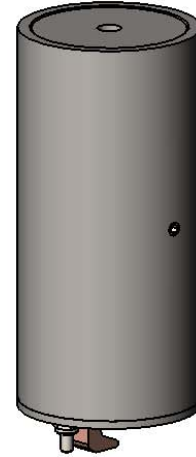
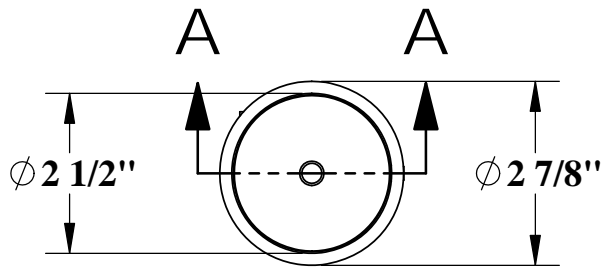
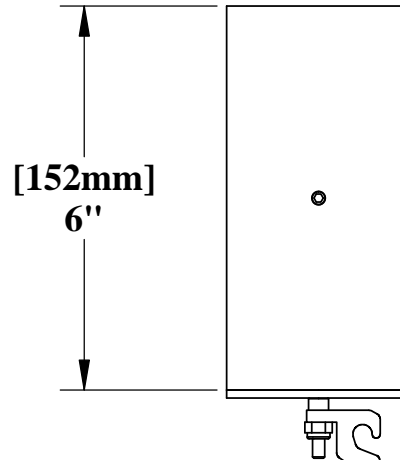


EZ & POWER EZ ANCHOR SPEC



SECTION A-A



GROUNDING LUG

SPECIFICATIONS:

RATED CAPACITY: 400 LBS [181kg]

MAXIMUM SETBACK: 20" [508mm]

strack Liftsysteme

Strack AG
Ebnatstrasse 125
8200 Schaffhausen

Tel. 0800 600 500
Fax 0800 600 900

www.strack.ch
info@strack.ch

ZSR-Nr. K 7514.14
NIF-Nr. 366 824
MWST-Nr. 567 970



9889 GARRYMORE LANE
MISSOULA, MT 59808
(406) 549-0769
FAX (406) 549-2602

NOTE:
*SPECIFICATIONS ARE SUBJECT TO CHANGE WITHOUT NOTICE

PRODUCT:		EZ ANCHOR	
PART #:		F-033EZA	
SCALE:	1:3	DATE:	6/12/2017
DRAWN BY:	KR	REVISION:	A